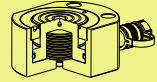


RSSM Series



Capacity:
5-150 ton

Stroke:
6-16 mm

Maximum Operating Pressure:
700 bar



RSSM-50

- RSSM-50 搭配 SQB-3/8UF 快速接頭。
- ※ RSSM-50 is fitting with a SQB-3/8UF.



RSSM 液壓單動，超薄型千斤頂

- 扁平設計適用於窄小空間作業需求。
- 底座螺孔便於固定。
- 溝槽式主軸表面，不需加裝墊塊。
- 主軸及液壓缸內壁硬鉻處理耐磨、抗腐蝕。
- 強力彈簧加速主軸回縮速度。
- 防塵環減少污染物附著。
- 上螺帽保護主軸超揚昇。
- 表面粉體塗裝美觀抗腐蝕、防銹。
- 各型號均含 SQB-3/8UF 快速接頭及防塵蓋。

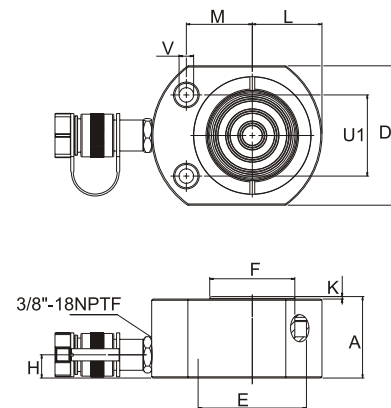
Single-Acting, Low Height, Flat Cylinders

- ※ Compact and flat design for use where in a narrow space.
- ※ Mounting holes permit easy fixturing.
- ※ Grooved plunger ends require no saddle.
- ※ Hard chrome plated plunger and inner of barrel resists wear and corrosion.
- ※ Maximum sized springs speed piston return and increase spring life.
- ※ Plunger wiper reduces contaminant.
- ※ Stop ring for piston blow-out protection.
- ※ Powder coat finish for increased corrosion resistance and antirust.
- ※ Come with SQB-3/8UF female coupler & dust cap.

	焊提把 Weldable
	吊環螺栓 Eyebolt
	活動提把 Removable strap handles
	螺牙式活動提把 Thread

提把型式 Handle type	
(S) : 標準配件 standard equipped	
(O) : 選配 option	
● 焊提把 Weldable	
★ 吊環螺栓 Eyebolt	
▲ 活動提把 Removable strap handles	
■ 螺牙式活動提把 Thread	

Handle type 提把型式 (S)	Model Number 型號	外部尺寸 Outer Dimension					
		Cylinder Capacity 能力 ton(kN)	Stroke 揚程 (mm)	Cylinder Effective Area 受壓面積 (cm ²)	Oil Cap. 總油量 (cm ³)	Collapsed Height 本身高 A (mm)	Extended Height 伸長總高 (mm)
	RSSM-50	5 (45)	6	6.5	4	32	38
	RSSM-100	10 (101)	12	14.5	18	43	54
	RSSM-200	20 (201)	11	28.7	32	51	62
	RSSM-300	30 (295)	13	42.1	55	58	71
	RSSM-500	45 (435)	16	62.1	99	66	82
●	RSSM-750	75 (718)	16	102.6	164	79	95
●	RSSM-1000	90 (887)	16	126.7	203	85	101
●	RSSM-1500	150 (1386)	16	198.1	317	100	116



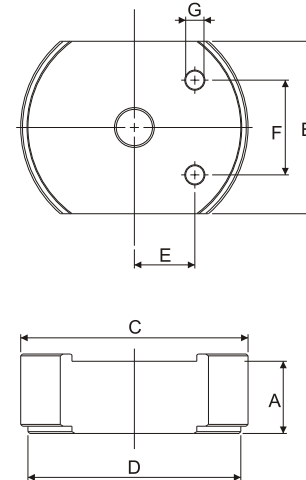
Model Number 型號	外部尺寸 Outer Dimension								Base Mounting Hole 底座孔徑			
	Outside Diameter 外徑 D (mm)	Cylinder Bore Diam. 內徑 E (mm)	Plunger Diam. 主軸直徑 F (mm)	Base to Adv. Port 底部前進 油孔位置 H (mm)	Plunger Protrusion from Base 凸出高度 K (mm)	Plunger to Base 偏心位置 L (mm)	Plunger to Mtg. Hole 魚眼位置 M (mm)	Weight 總重 (kg)	Hole Pitch 魚眼孔距 U1 (mm)	Hole Diam. 孔徑 V (mm)	Counter Bore Diam. 魚眼 (mm)	Counter Bore Depth 魚眼深度 (mm)
RSSM-50	58 x 41	28.7	25.4	16	1	20	22	1.0	28.5	5.5	7.9	4.3
RSSM-100	82 x 55	42.9	38.1	19	1	27	34	1.4	36.6	7.1	10.7	7.9
RSSM-200	101 x 76	60.5	50.8	19	1	39	39	3.1	49.3	10.0	15.1	9.9
RSSM-300	117 x 95	73.2	63.4	19	2	47	44	4.5	52.3	10.0	15.9	11.2
RSSM-500	140 x 114	88.9	69.8	19	2	57	53	6.8	66.5	11.9	19.0	12.7
RSSM-750	165 x 139	114.3	82.6	19	2	69	66	11.3	76.2	13.5	20.6	14.2
RSSM-1000	178 x 153	127.0	92.2	19	2	76	74	14.5	76.2	13.5	20.6	14.2
RSSM-1500	215 x 190	158.8	114.3	23	2	95	82	26.3	117.3	13.5	20.6	14.2

RSSM 系列配件

- 強力磁力組成多樣性高度。
- 適用底矮型空間作業增加高度時使用。

RSSM series Accessories

- ※ Various height magnetic adapters.
- ※ Perfect for low clearance areas needing a little height boost.



Maximum working pressure 10000psi/ 700bar
最大操作壓力10000psi/ 700bar

Model No. 型號	Cylinder Model 油缸型號	Cylinder Height 油缸高度		Adapter Dimension 墊塊尺寸								Weight 重量 (kg)	
				A		B	C	D	E	F	G		
		(in)	(mm)	(in)	(mm)	(in/mm)	(in/mm)	(in/mm)	(in/mm)	(in/mm)	(in/mm)	(in/mm)	(kg)
XKRSSM5-6	RSSM-50	1.25	32.0	0.1	6.4	1.6 / 41.4	2.5 / 64.7	2.3 / 58.7	0.5 / 13.6	1.1 / 28.5	0.2 / 5.1	0.1	
XKRSSM5-12				0.5	12.7							0.2	
XKRSSM5-25				1.0	25.4							0.5	
XKRSSM5-31				1.3	31.8							0.6	
XKRSSM10-9	RSSM-100	1.69	43.0	0.4	9.9	2.2 / 55.6	3.6 / 90.6	3.3 / 82.6	0.8 / 20.5	1.4 / 36.6	0.3 / 7.1	0.3	
XKRSSM10-20				0.8	20.0							0.7	
XKRSSM10-39				1.6	39.9							1.4	
XKRSSM20-9				0.4	9.9							0.6	
XKRSSM20-20	RSSM-200	2.00	51.0	0.8	20.0	3.0 / 76.2	4.3 / 109.6	4.0 / 101.6	1.1 / 28.4	1.9 / 49.3	0.4 / 10.1	1.1	
XKRSSM20-39				1.6	39.9							2.2	
XKRSSM30-9	RSSM-300	2.28	58.0	0.4	9.9	3.8 / 95.3	4.9 / 125.6	4.6 / 117.6	1.3 / 33.4	2.1 / 52.3	0.4 / 10.1	0.8	
XKRSSM30-20				0.8	20.0							1.6	
XKRSSM30-39				1.6	39.9							3.2	

油/液壓缸-動力單元(泵)組合
建議您基本安裝包含油壓缸、公/母快速接頭、油管、壓力錶、壓力錶接頭及驅動泵浦。
相關技術諮詢請和就近的SUN RUN 服務中心取得連繫。

Hydraulic Cylinder and Pump Sets
Basic system set-up include cylinder, male/female coupler, hose, pressure gauge, gauge accessories and pump.
Please connect SUN RUN office nearest to you for advice and technical assistance in the layout of your ideal.

控制閥 Control Valve
可搭配例如SV-82類的針閥來控制油壓缸上升和下降的速度 (請參考 SV-系列)
Fitting needle valve such as SV-82 is used to control cylinder speed during lifting and lowering. (See SV-Series)